

Figure 1.
 EUROBALL Neutron Wall Electronics Block Diagram
<http://www.nsg.tsl.uu.se/nwall/>

- Arrows indicate one signal if not otherwise indicated with a "/" and a number
 - Signal standard is NIM if not otherwise written

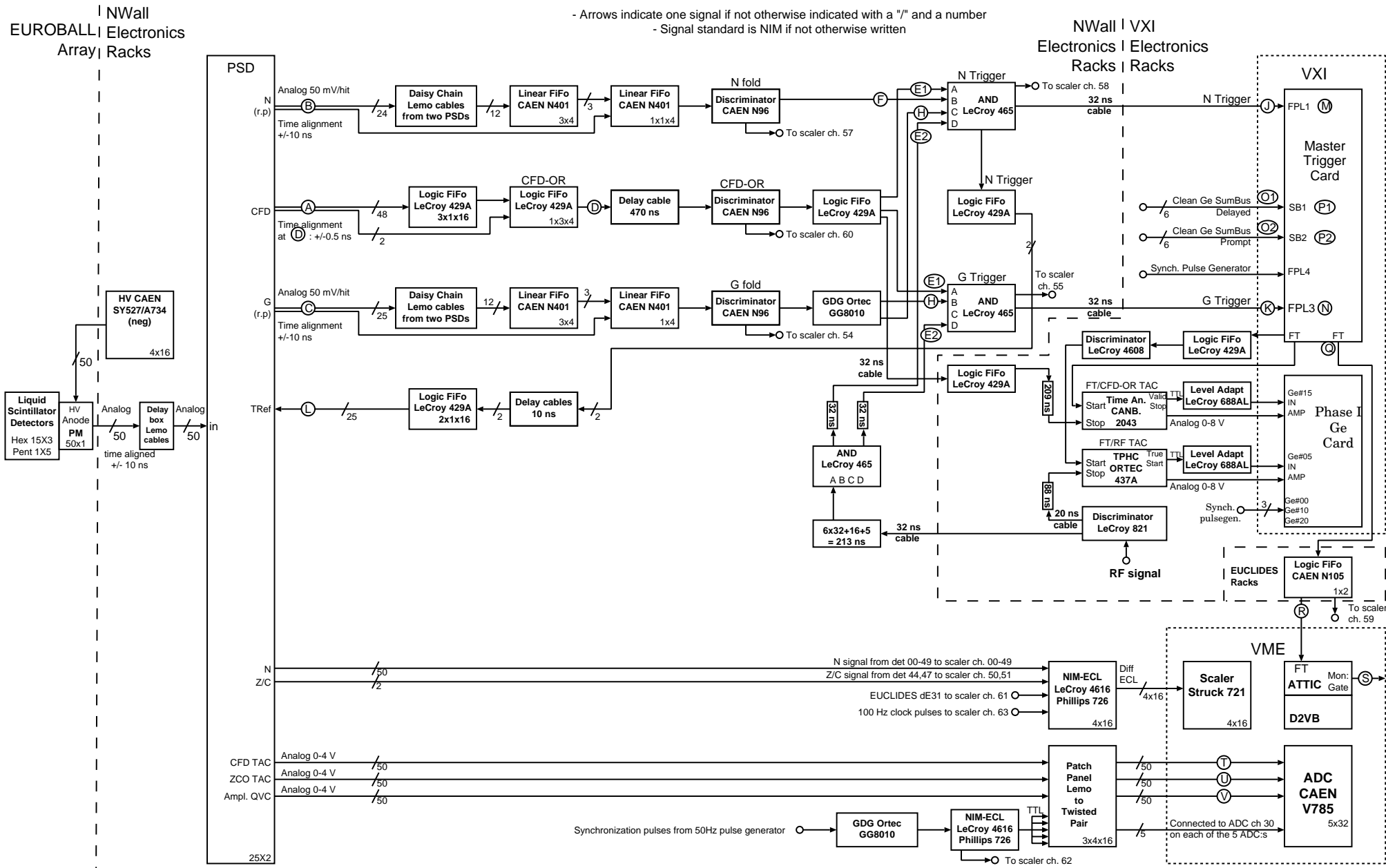


Figure 2.
 EUROBALL Neutron Wall Electronics Timing
<http://www.nsg.tsl.uu.se/nwall/>

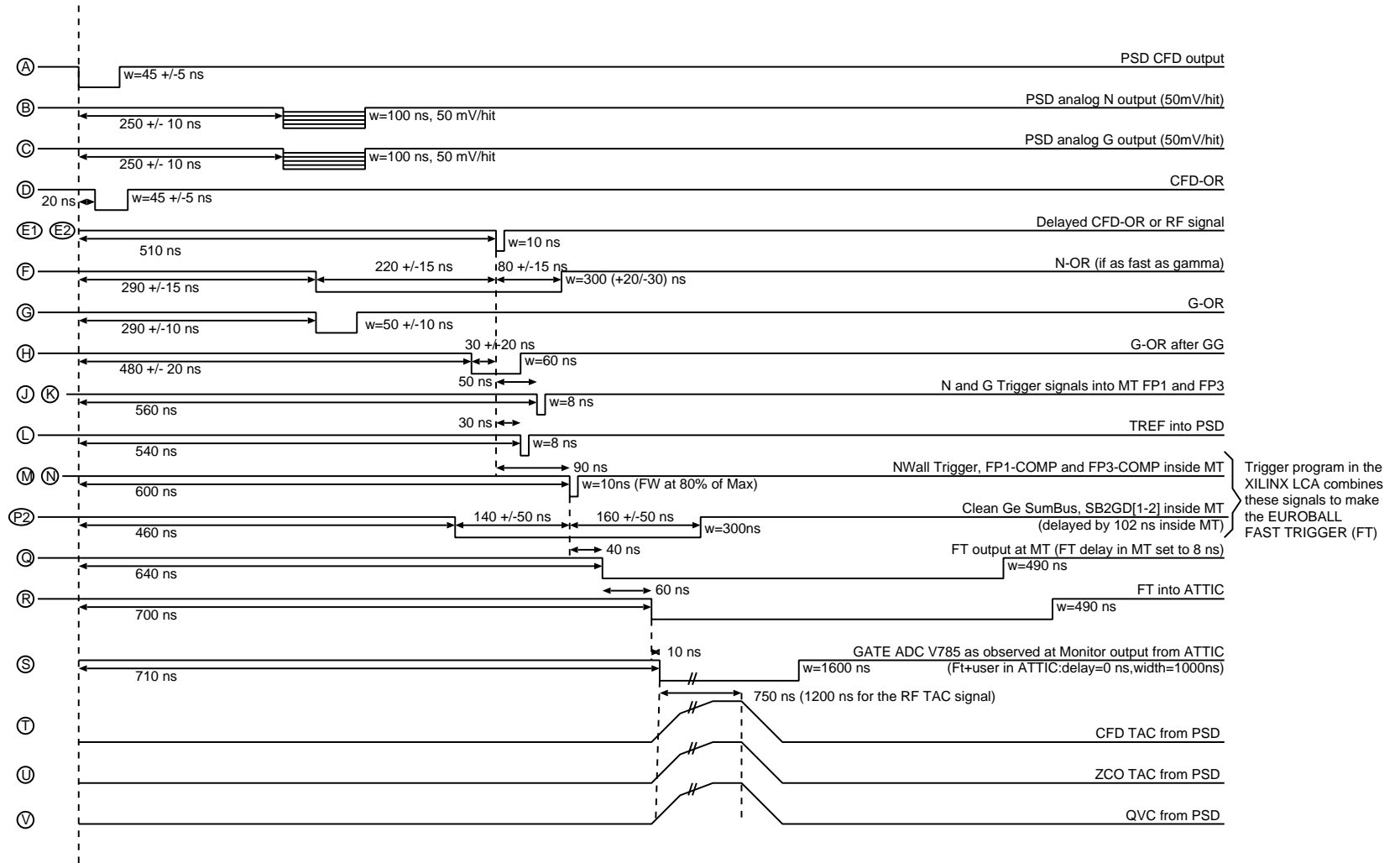


Figure 3.
 EUROBALL Neutron Wall Electronics Timing
 Delayed trigger timing diagram
<http://www.nsg.tsl.uu.se/nwall/>

